

STUDIO
BAGNO



Unit 60

STYLE

Bench/Wall

CODE

UTL01/0
UTL01/1

WEIGHT

14.3 kg

COLOURS

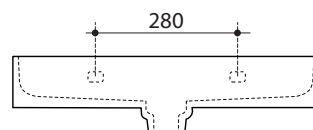
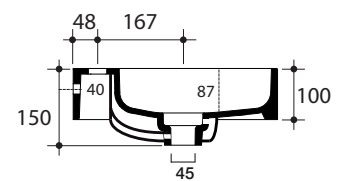
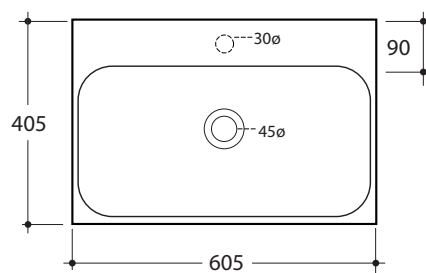
White

OVERFLOW & WASTE

32mm ceramic overflow plug and waste not included.
Please order separately.

INCLUSIONS

Wall fixing bolts included.



REAR VIEW

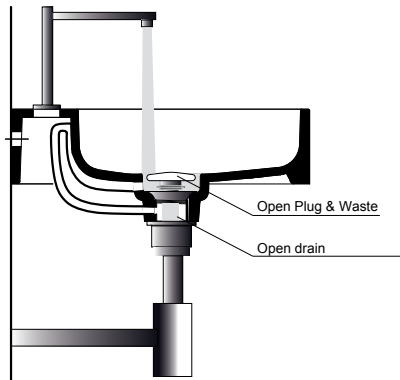


FRONT VIEW



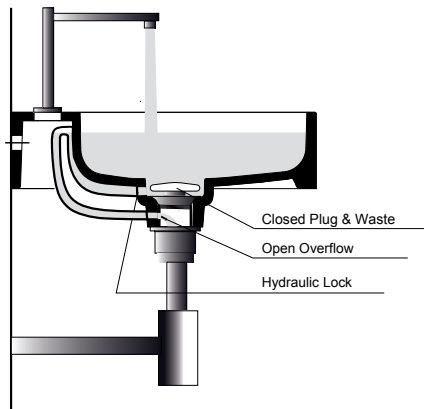
Unit 60
Unit 80
Unit 100
Unit 120

OVERFLOW DESCRIPTION



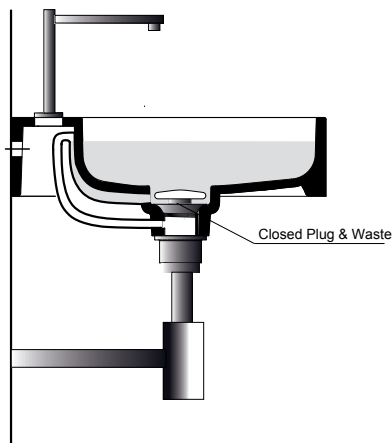
Open Drain with Open Tap

Leaving the pop up plug & waste open, the water flow is directed down the drain, preventing the basin from filling.



Closed Drain with Open Tap

Closing the pop up plug & waste, the water flow is directed into the vacuum pipe by the hole in the drain collar positioned over the hydraulic lock. The water flows into the waste through the connected hydraulic lock in the drain that also prevents the water returning to the basin.



Closed Drain with Closed Tap

Closing the pop up plug & waste and the taps waterflow, the water flow stabilised and the basin remains full.